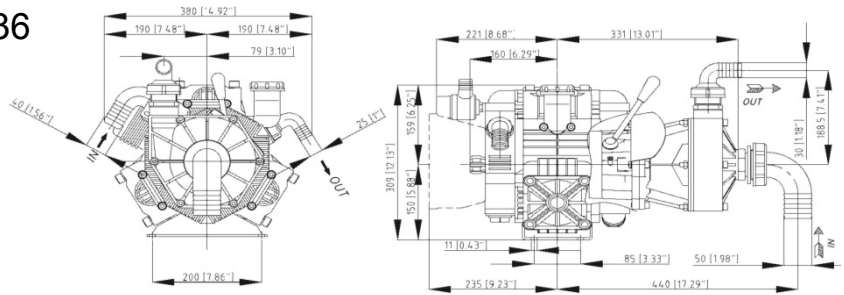


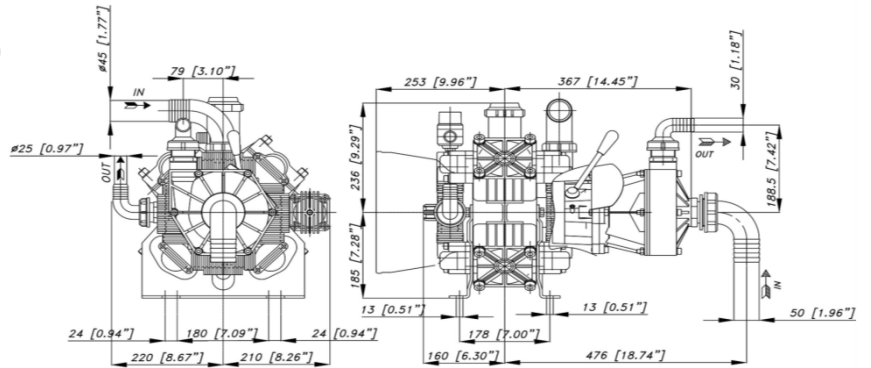
## DIMENSIONI D'INGOMBRO - OVERALL DIMENSIONS



436

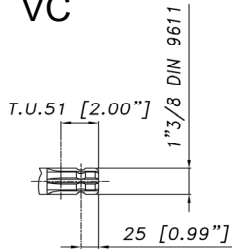


480



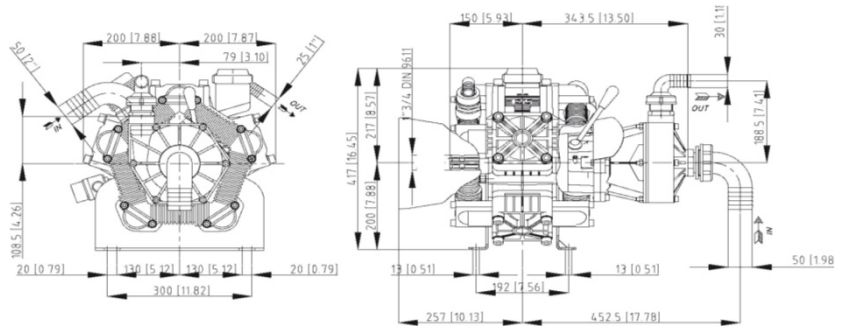
ALBERO POMPA - PUMP  
SHAFT

VC

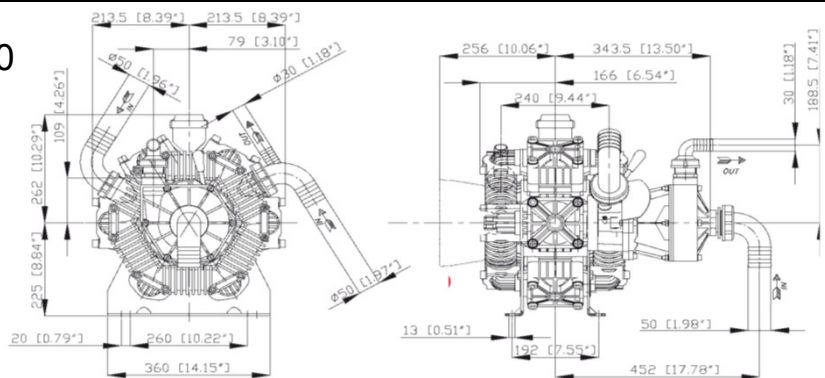


500

540



600



### COPPIA DI SERRAGGIO - TORQUE CHART

CODICE - CODE	Q.TY	POS	N-m	Lbr.ft
86.3560.00.2	1	3	45	33,2
86.2355.00.2	1	40	10	7,4
86.3002.00.2	6	58	12	8,9
31.1705.00.2	1	57	15	11,1
31.1674.49.2	3	20	45	33,2
86.2460.00.2	1	5	25	18,4
86.2012.00.2	2	75	10	7,4
86.3981.00.2	2	25	70	51,6
86.2892.00.2	2	16	25	18,4
83.8133.00.2	2	43	25	18,4
83.8132.10.2	2	44	25	18,4
85.2543.50.2	2	12	20	14,8

Tolleranza di serraggio: 0/-10%  
Tolerance on torque value:

### INFORMAZIONI UTILI USEFUL INFORMATION

LUBRIFICANTE - LUBRICANT:

POMPA - PUMP:

OLIO MOTORE O SEMIIDRAULICO SAE 30  
MOTOR OIL OR SEMI-HYDRAULIC OIL SAE 30

MOLTIPLICATORE - OVERGEAR:

OLIO MOTORE O SEMIIDRAULICO SAE 75-W90  
MOTOR OIL OR SEMI-HYDRAULIC OIL SAE 75-W90

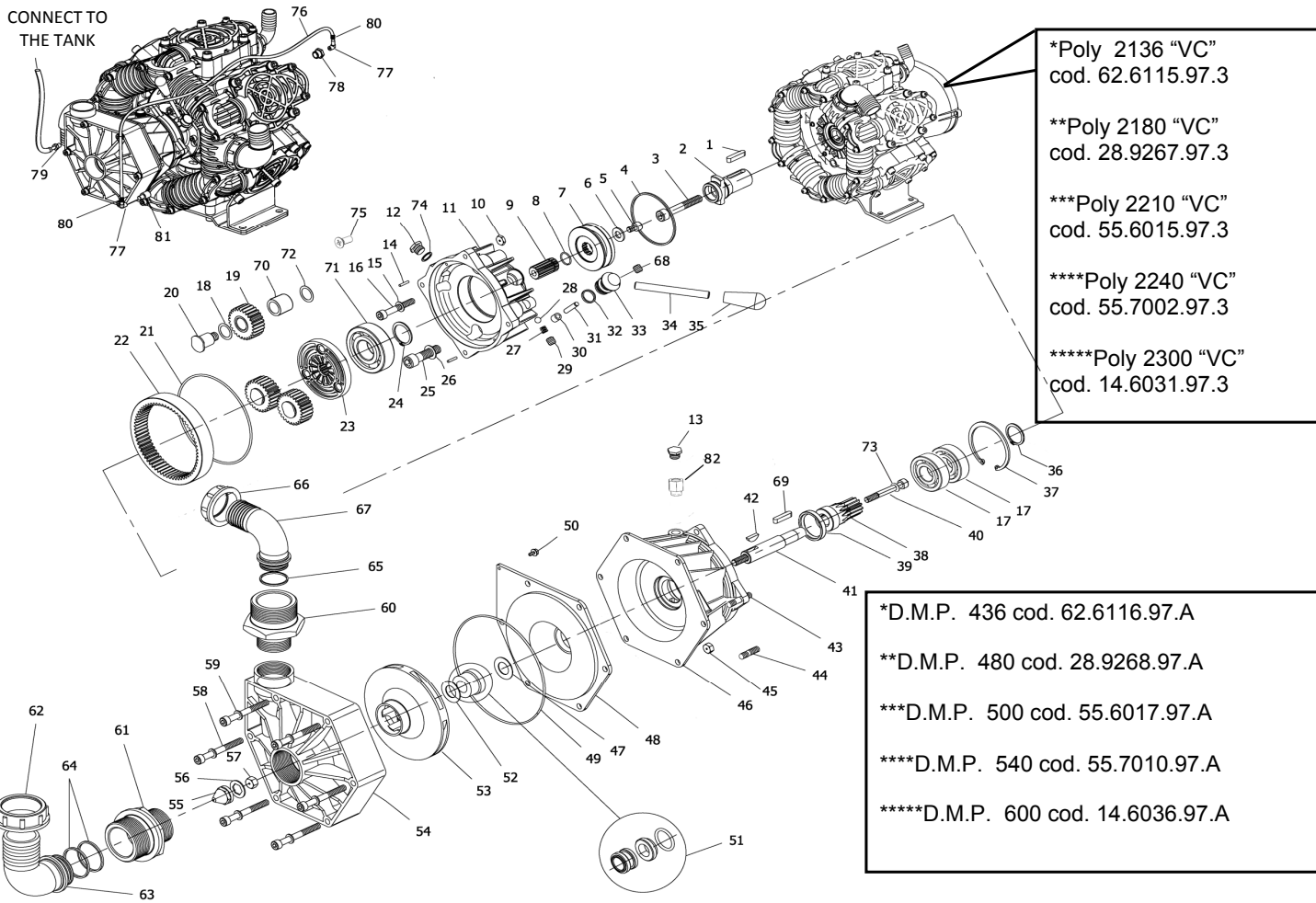
PRESSIONE ACCUMULATORE  
ACCUMULATOR PRESSURE

PRESSIONE DI LAVORO - OPERATING PRESSURE	2 ÷ 5	5 ÷ 10	10 ÷ 20	20 ÷ 50
ACCUMULATORE ACCUMULATOR	2	2 ÷ 5	5 ÷ 7	6 ÷ 8



PER I KIT DI RIPARAZIONE VEDI POMPE POLY  
FOR REPAIR KIT SEE POLY PUMPS

# D.M.P. 436-480-500-540-600



POS.	CODICE PART NO. REF.	DENOMINAZIONE - DESCRIPTION - DESCRIPTION	Q.TY
1	80.6474.00.2	KEY 6,35x6,35x31,75	1
2	31.1675.49.2	MALE HALF-COUPLING	1
3	86.3560.00.2	BOLT UNI M10x65	1
4	80.3210.61.2	O-RING DIA. 2,6x77,47	1
5	86.2460.00.2	BOLT UNI M8x12	1
6	84.3448.41.2	WASHER DIA. 8,2x21X4	2
7	31.1672.48.2	FEMALE HALF-COUPLING	1
8	80.1138.00.2	CIRCLIP 18	1
9	31.1673.48.2	PIN	1
10	81.4574.00.2	NUT M8	2
11	31.1668.07.2	COVER GEAR BOX	1
12	85.2543.50.2	CAP G. 1/4	1
13	85.2582.00.2	CAP G. 3/8	1
14	85.1024.00.2	PIN DIA. 3x16 UNI 1707	2
15	84.3642.90.2	WASHER DIA. 8.1x14X1	2
16	86.2892.00.2	BOLT UNI5931 M8x50(POLY 2136)	2
17	86.2985.00.2	BOLT UNI5931 M8x70(POLY 2210/2300)	2
18	81.2740.50.2	BEARING 30X55X13	2
19	84.4100.00.2	WASHER SHIM	3
20	31.1760.48.2	GEAR Z=26	3
21	31.1674.49.2	GEAR SHAFT	3
22	80.3210.70.2	O-RING 2,62x126,67	1
23	31.1678.48.2	RING GEAR Z=66	1
24	31.1732.07.2	JUNCTION GEAR	1
25	80.1241.00.2	SNAP RING DIA.30	1
26	86.3981.00.2	SCREW M12x45	2
27	84.3899.00.2	COPPER WASHER DIA. 13x19x1,5	2
28	24.0016.49.2	SPRING	1
29	84.7430.00.2	BALL5/16"	1
30	86.3110.00.2	SCREW M10x10 UNI 5923 P. PIANA	1
31	81.2490.00.2	INTERNAL RING DIA. 6x10x10	1
32	85.1209.00.2	PIN DIA. 6x30	1
33	80.3095.00.2	O-RING DIA. 2,00x18,00	1
34	31.1735.48.2	SHAFT	1
35	31.1736.48.2	GEARBOX ROD	1
36	83.7541.00.2	KNOB	1
37	80.1218.00.2	SNAP RING DIA.28	1
38	80.1376.00.2	SNAP RING DIA.55	1
39	31.1677.49.2	PINION	1
40	80.2133.30.2	OIL SEAL DIA. 35x45x7	1
41	86.2355.00.2	BOLT M6X45	1

POS.	CODICE PART NO. REF.	DENOMINAZIONE - DESCRIPTION - DESCRIPTION	Q.TY
41	31.1747.43.2	CRANKSHAFT	1
42	31.1704.00.2	WOODRUFF KEY	1
43	83.8133.00.2	BOLT M8x25	2
44	83.8132.10.2	BOLT M8x20	2
45	81.4574.00.2	NUT M8	12
46	31.1763.07.2	GEAR BOX COVER	1
47	31.1854.54.2	WASHER DIA.21,5X34,4X2	1
48	31.1699.32.2	BACK COVER	1
49	80.3210.91.2	O-RING DIA. 2,6x164,77	1
50	31.1709.00.2	SCREW-SELF TAPPING HEX HD	1
51	31.1753.33.2	MECHANICAL SEAL	1
52	31.1702.31.2	GASKET	1
53	31.1703.32.2	IMPELLER- POLYPROPYLENE	1
54	31.1708.32.2	PUMP CASING	1
55	31.1706.32.2	SEAL NUT	1
56	31.1707.31.2	WASHER	1
57	31.1705.00.2	NUT JAM 3/8 UNF	1
58	86.3002.00.2	SCREW M8x80	6
59	84.3685.00.2	BOLT DIA. 8,2x15x1,5	6
60	83.5090.35.2	NIPPLE G.1"1/4-G.1"1/2 M-M	1
61	83.5095.00.2	NIPPLE G.1/2-G.2" M-M	1
62	82.0120.00.2	WING NUT G.2"	1
63	84.0610.00.2	CONNECTOR 90° HOSE DIA.50-1,96"	1
64	80.3209.10.2	O-RING 2,62X40,95	2
65	80.3219.10.2	O-RING 3.0X30	1
66	82.0070.00.2	WING NUT G.1"1/2	1
67	84.0561.00.2	CONNECTOR 90° HOSE DIA.30-1,18"	1
68	86.1951.00.2	SCREW STEI M6X8	1
69	80.6429.00.2	LINGUETTA 4X4X20	1
70	81.2581.00.2	BEARING HK 1816	3
71	81.2776.10.2	BEARING 30X72X19	1
72	31.1761.48.2	WASHER DIA.24X18X2,4	3
73	84.3587.00.2	WASER DIA.6,2x11X1	1
74	82.4079.00.2	COPER WASHER D.13,2X17X1	1
75	86.2012.00.2	SCREW TSEI M6X12	2
76	83.5025.00.2	FLEXIBLE PIPE	1
77	83.5064.00.2	CONNECTOR WES 6 1/8 NPT	2
78	83.5100.00.2	CONNECTOR G.3/8 M-1/8 F NPT	1
79	83.5066.20.2	CONNECTOR GES 6 1/8 NPT	1
80	83.5067.00.2	CLAMP	2
81	83.5099.00.2	CONNECTOR 1/8-1/8 M-F NPT	1
82	83.5016.30.2	NIPPLE G.3/8 M-G.3/8 F	1